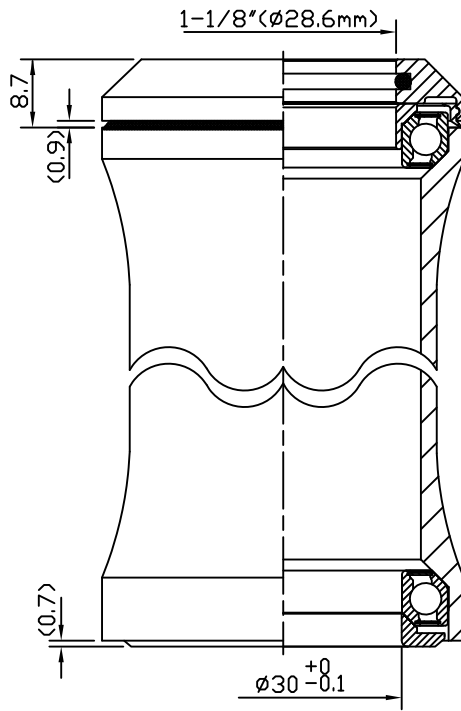


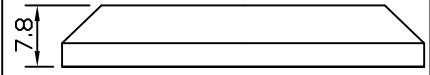
HEAD TUBE(頭管)



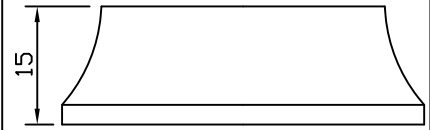
堆積高度(STACK HEIGHT)=9.4±1mm

可選配之上塞高度
(TOP COVER IS OPTIONAL)

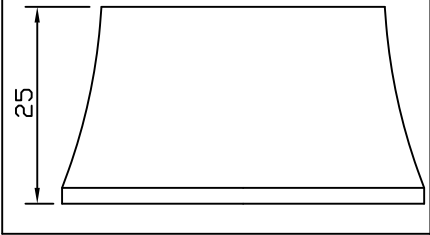
型號(MODEL NO.): H51



型號(MODEL NO.): H51M



型號(MODEL NO.): H51H



| NO. | 零件名稱 PART NAME | 材質 MATERIAL | 圖號 DRAWING NO. | 台量 Q'TY | 尺寸 DIM. DESCRIPTION |
|-----|----------------------------|----------------|-------------------|------------|------------------------|
| 1 | O形圈 O-RING | 橡膠 NBR | 120-8 | 1 | ID28.5xØ2 |
| 2 | 鋁上塞 TOP COVER | 鋁合金 6061/T6 | 51-3 | 1 | 1-1/8" |
| 3 | 防塵蓋 UPPER WATER SEAL | 橡膠 NBR | 51-0 | 1 | |
| 4 | 鋁斜管 COMPRESSION RING | 鋁合金 6061/T6 | 51-2 | 1 | 1-1/8" |
| 5 | 密封式軸承 AC SEALED BEARING | 軸承鋼 SUJ2 | NHB-6B | 2 | OD41.8x45°x45° |
| 6 | 鋁下塞 CROWN RACE | 鋁合金 7075/T6 | 51-6 | 1 | Ø30±0.1 |

- 與Campagnolo車架相容
- 全隱藏式車頭碗組
- 1-1/8" (28.6mm) 無牙式前叉立管
- 車頭管外徑=46mm [建議值]
- 鋁合金(6061)上塞
- 鋁合金(7075)下塞
- 斜接觸角度密封軸承

- Campagnolo compatible
- Full-integrated headset
- For 1-1/8" threadless steerer
- Headtube OD. = 46mm
- 6061/T6 cnc machined top cover with seals
- 7075/T6 cnc machined crown race
- Angular contact sealed bearings

| | | | | | | | |
|-----------------|-------------------------------------|-------------|-----|--------------------|------------|------------|-----------|
| 單位 UNIT | mm | 比例 SCALE | 1:1 | 日期 DRAWING DATE | 2001.03.09 | 角法 VIEW | |
| 型號 ITEM NO. | NECO 51/51M/51H | | | | | | 版次(REV):A |
| 品名 PART NAME | H51/H51M/H51H 組立圖(Assembly drawing) | | | | | | |
| 規格 DIMENSION | 1-1/8" x42x30 | | | | | | |
| 圖號 PART NO. | H51(H51M/H51H)-組立圖-A | | | | | | |

NECO®

誌慶工業股份有限公司